



DRILLALL

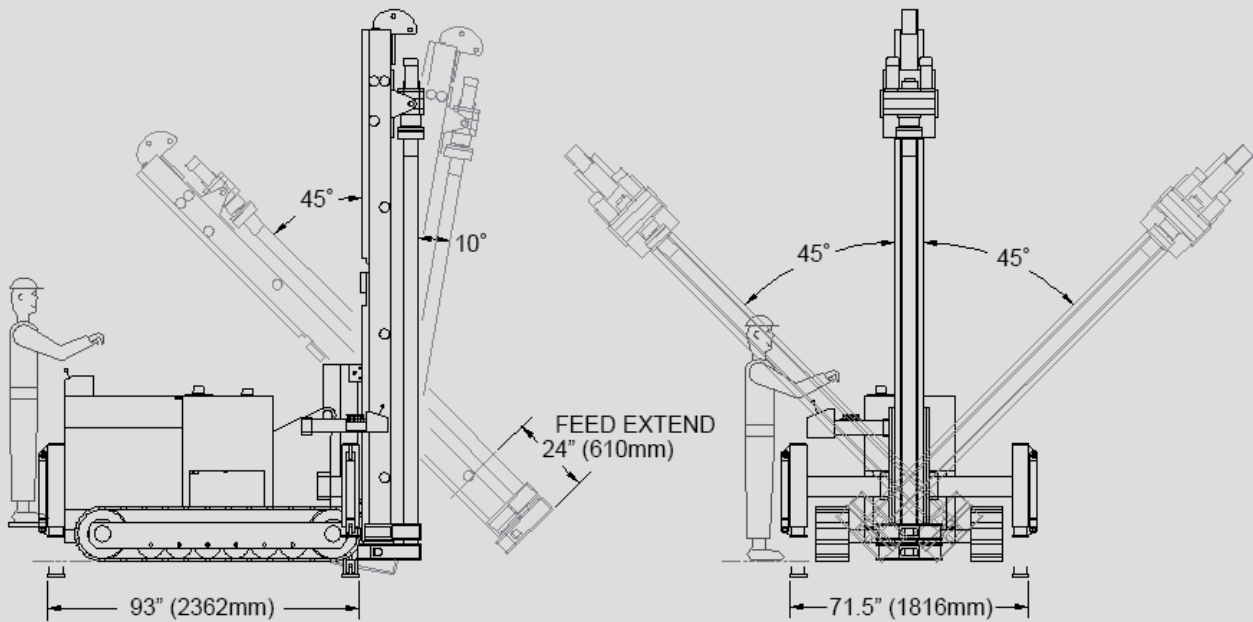
GEO



TEI ROCK DRILLS

PO BOX 1309, MONTROSE, CO 81402

(800) 777-3745 • (970) 249-1515 • www.teirockdrills.com



DRILL SPECIFICATIONS

- Machine Weight 6,450 lbs.
- Rotary Torque 5,000 ft/lbs.
- Mast Pullback 8,000 lbs.
- Drill Head Travel 6.5'

Standard Equipment

- Cummins 57 HP Diesel Engine
- Double Hydraulic Clamps
- Misting Pump
- Steel Frame with Rubber Tracks
- Load Sensing Hydraulic System



DRILLALL GEO DX WITH COMP



DRILLALL GEO CONTROL PANEL

SPECIFICATIONS SUBJECT TO CHANGE WITHOUT NOTICE.