



# HCFE66

## EXTENDABLE FEED SYSTEM

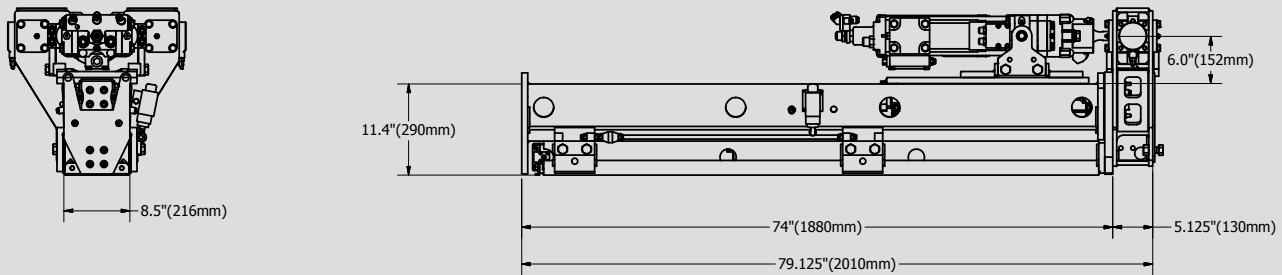


**TEI ROCK DRILLS**

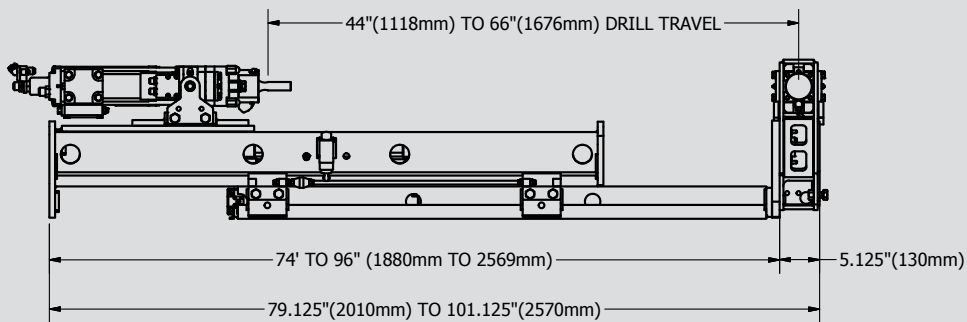
PO BOX 1309, MONTROSE, CO 81402

(800) 777-3745 • (970) 249-1515 • [www.teirockdrills.com](http://www.teirockdrills.com)

## HCFE66 FEED



HCFE66 FEED IN DRILL FORWARD POSITION



HCFE66 FEED IN DRILL RETRACTED POSITION

### Uses Hydraulic Cylinders, No Chain or Cables

- 79.125" (2010mm) long in collapsed position including HCH65 centralizer.
- 101.125" (2569mm) long in extended position. *Extension length can be hydraulically limited.*
- 66.0" (1676mm) drill stroke using full extension.
- 44.0" (1118mm) drill stroke with no extension.
- 11.4" (290mm) feed height (bottom to top).
- 8.5" (216mm) feed width.
- 505 lbm (230 kg) calculated weight.
- 5,525 lbf (24,575N) push at 2500 psi (172 bar).
- 9,940 lbf (44,213N) pull at 2500 psi (172 bar).

SPECIFICATIONS SUBJECT TO CHANGE WITHOUT NOTICE.