

RDS550

ROTARY HEAD

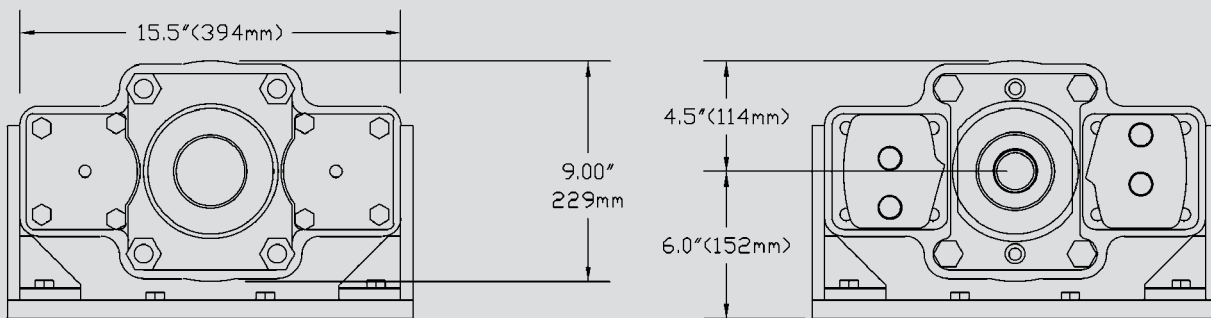
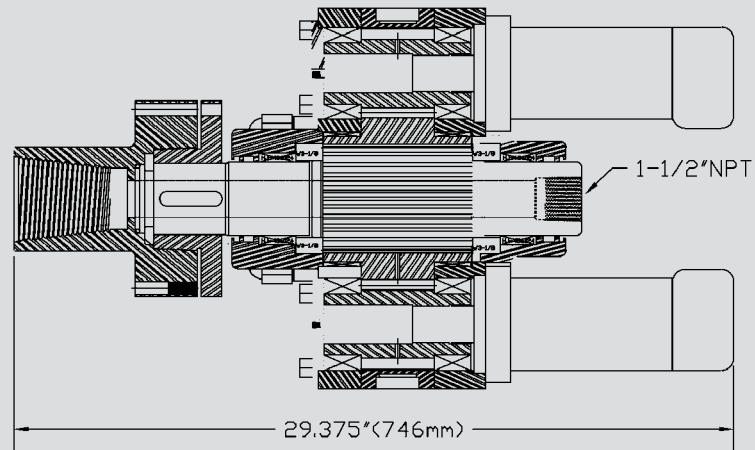


TEI ROCK DRILLS

PO BOX 1309, MONTROSE, CO 81402

(800) 777-3745 • (970) 249-1515 • www.teirockdrills.com

Weight: 237 lbs.



DRILL SPECIFICATIONS

Stock output threads for RDS550:

- 3 1/2 API Regular male and female
- 2 3/8 API Regular male and female
- 1 5/8" auger hex
- Other threads available

Specifications:

- Up to 150 RPM
- Up to 5,000 ft/lbs of torque
- Hydraulic flow for 5,000 ft/lbs is 2 RPM per 1 GPM of hydraulic flow
- Hydraulic Supply Pressure 2500 PSI
- 3/4" JIC hydraulic connections
- 1 1/2" flushing ID on output shaft



Used on the PCF or HCF feed system.

ALL ATTACHMENT CARRIERS MUST BE PLUMBED WITH LOW PRESSURE RETURN AUXILIARY HYDRAULICS. AN ADDITIONAL HYDRAULIC OIL COOLER IS RECOMMENDED FOR PRODUCTION DRILLING. SPECIFICATIONS SUBJECT TO CHANGE WITHOUT NOTICE.