



TD50

ELECTRIC/HYDRAULIC LIMITED ACCESS DRILL



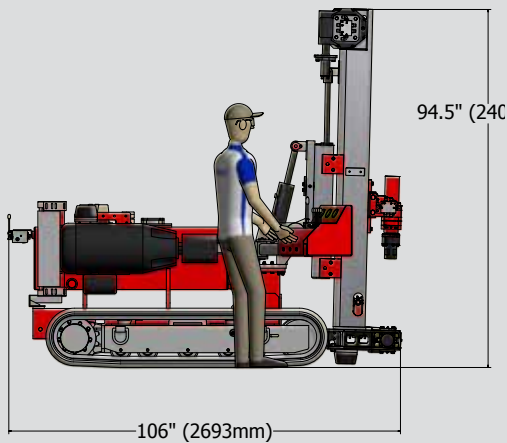
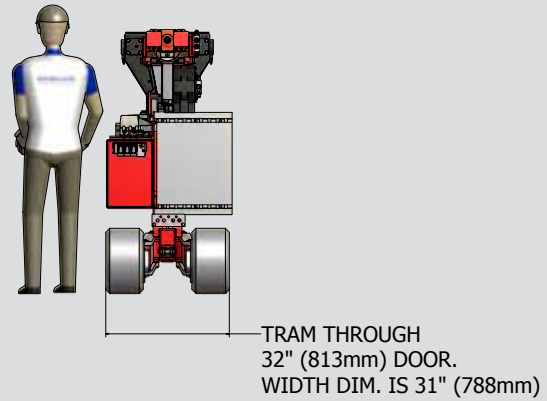
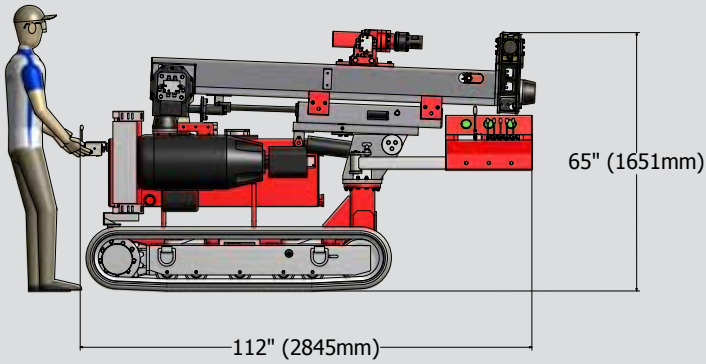
TEI ROCK DRILLS

PO BOX 1309, MONTROSE, CO 81402

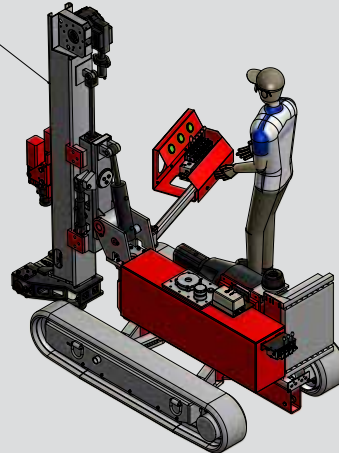
(800) 777-3745 • (970) 249-1515 • www.teirockdrills.com

Weight: 4,000 lbs.

TD50



18" (457mm) FEED EXTEND
20° SWING LEFT / RIGHT
10° OVER VERTICAL



DRILL SPECIFICATIONS

- Uses either the RDS350 Rotary Head or TE260 Drifter.
- Single Clamp Standard or Optional Double Clamps

	U.S.	Metric
Supply Pressure	2500 PSI	172 bar
Electric Motor	30 HP	22 KW
Hydraulic Tank	30 Gallon	114 Liter
Power Input	3-Phase 480 Volt / 60 Hertz	3-Phase 480 Volt / 50 Hertz
Generator Required	45 KW	45 KW
Weight	4,000 Lbs	1,814 Kg