

TD75

ELECTRIC/HYDRAULIC LIMITED ACCESS DRILL



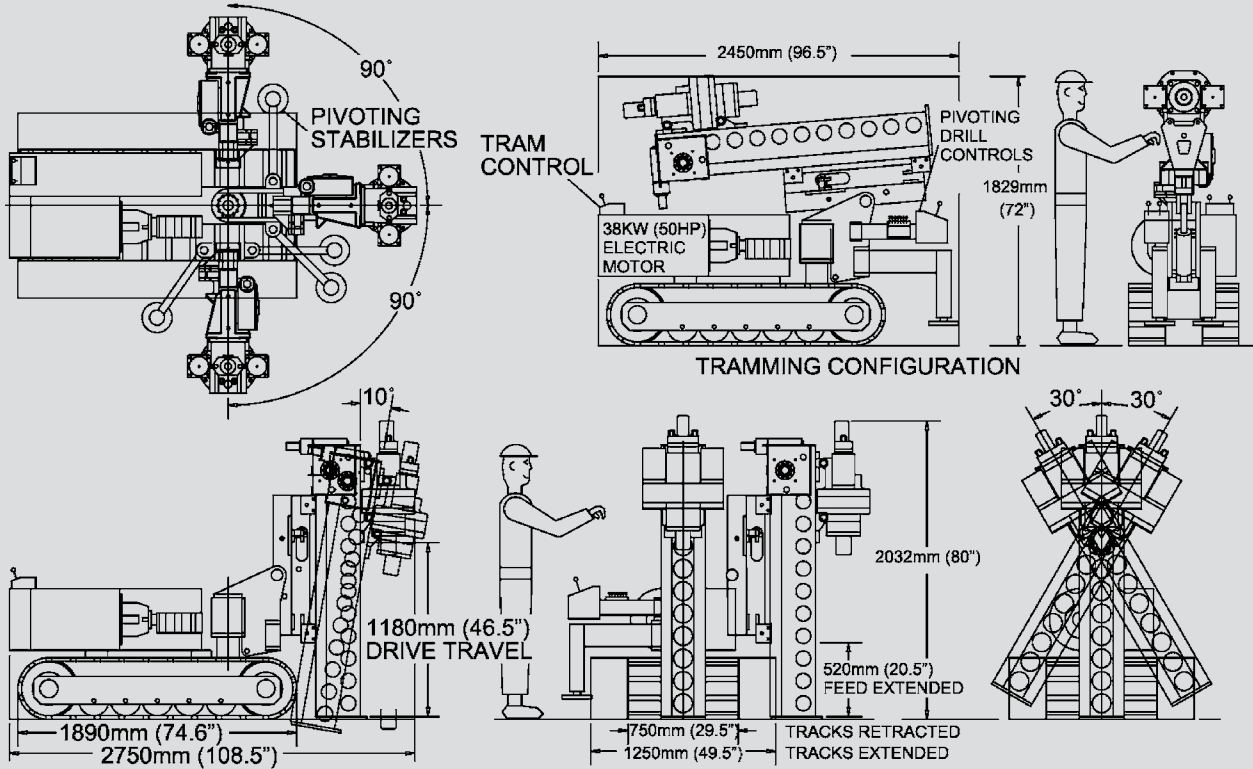
TEI ROCK DRILLS

PO BOX 1309, MONTROSE, CO 81402

(800) 777-3745 • (970) 249-1515 • www.teirockdrills.com

Weight: 5,500 lbs.

TD75

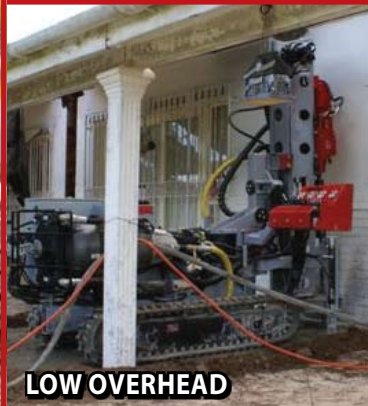


DRILL SPECIFICATIONS

- Maximum Torque 10,000 ft/lbs.
- 12,000 lbs. of Mast Pullback
- Minimum Machine Width 29.5" (750mm)
- 180 Degree Positioning of Mast
- Drill Controls Move with the Mast.
- Optional Single or Double Clamps
- Optional Radio Controls for Trimming
- 50 HP Motor Uses, 75 kW Gen-set



USING TE550 DRIFTER



LOW OVERHEAD



DRILL CONTROLS