

# TE250HEX

## HYDRAULIC DRIFTER



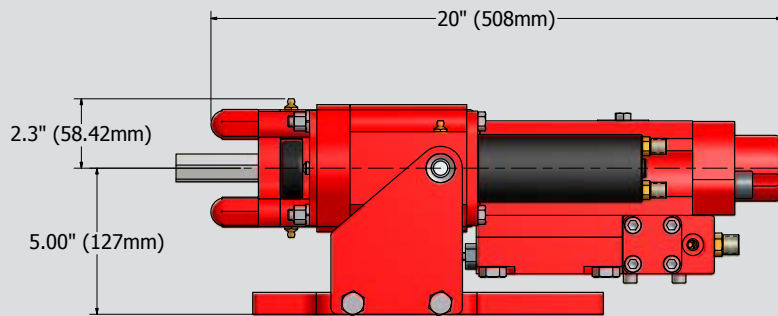
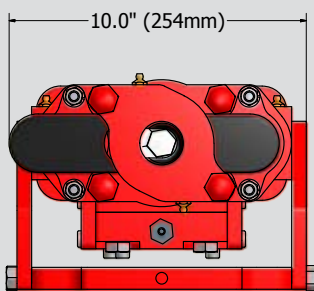
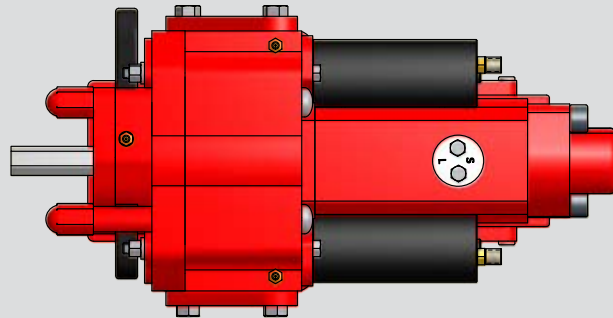
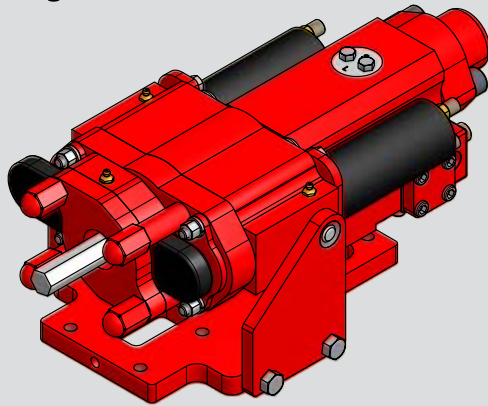
**TEI ROCK DRILLS**

PO BOX 1309, MONTROSE, CO 81402

(800) 777-3745 • (970) 249-1515 • [www.teirockdrills.com](http://www.teirockdrills.com)

# TE250HEX

Weight: 114 lbs.



	<b>U.S.</b>	<b>Metric</b>
Supply Pressure	1850 PSI	128 bar
Impact Energy	70-85 ft/lbs	95-115Nm (95-115 joules)
Impact Frequency	3200-3800 BPM	3200-3800 BPM
Power Output	8.25 HP	6.15 kW
Rotation Speed	Up to 250 RPM	Up to 250 RPM
Rotation Torque	200 ft/lbs	27 daNm
Weight	114 Lbs	52 Kg

**ALL ATTACHMENT CARRIERS MUST BE PLUMBED WITH LOW PRESSURE RETURN AUXILIARY HYDRAULICS. AN ADDITIONAL HYDRAULIC OIL COOLER IS RECOMMENDED FOR PRODUCTION DRILLING. SPECIFICATIONS SUBJECT TO CHANGE WITHOUT NOTICE.**