



TE260

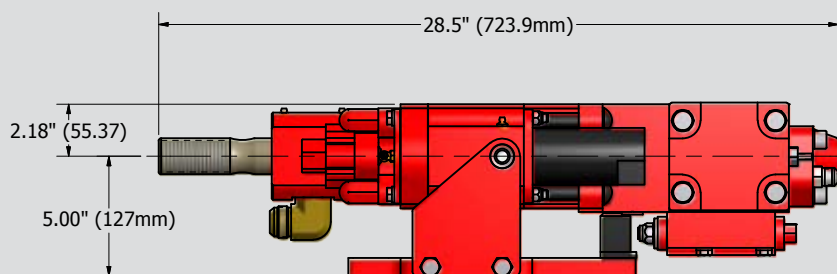
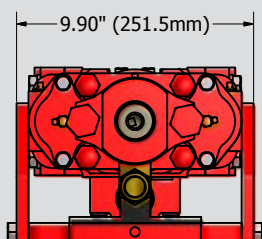
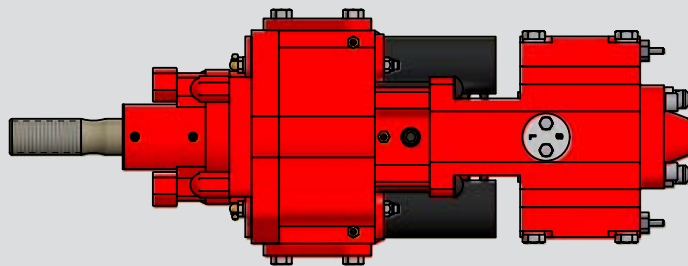
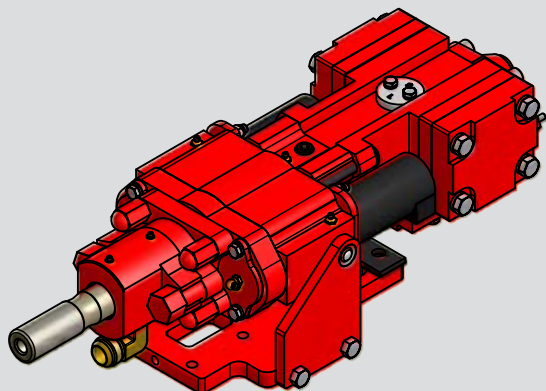
HYDRAULIC DRIFTER



TEI ROCK DRILLS

PO BOX 1309, MONTROSE, CO 81402

(800) 777-3745 • (970) 249-1515 • www.teirockdrills.com



	U.S.	Metric
Supply Pressure	2250 PSI	155 bar
Impact Energy	65-95 ft/lbs	88-129Nm (88-129 joules)
Impact Frequency	3600-5000 BPM	3600-5000 BPM
Power Output	9.85 HP	7.35 kW
Rotation Speed	Up to 250 RPM	Up to 250 RPM
Rotation Torque	200 ft/lbs	27 daNm
Weight	144 Lbs	65 Kg

ALL ATTACHMENT CARRIERS MUST BE PLUMBED WITH LOW PRESSURE RETURN AUXILIARY HYDRAULICS. AN ADDITIONAL HYDRAULIC OIL COOLER IS RECOMMENDED FOR PRODUCTION DRILLING. SPECIFICATIONS SUBJECT TO CHANGE WITHOUT NOTICE.