



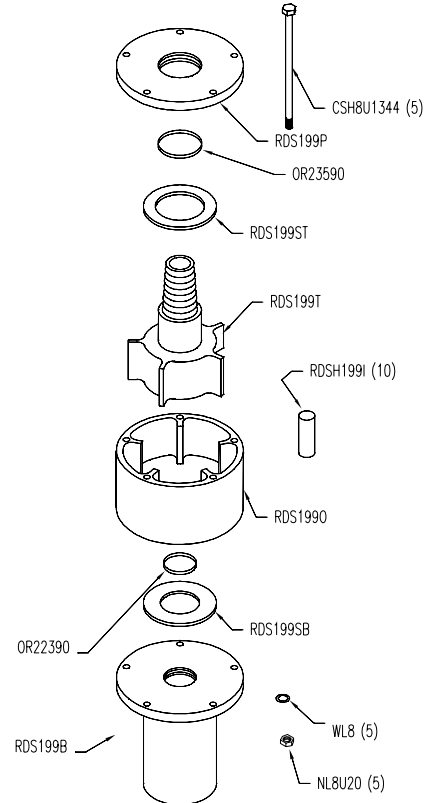
TEI ROCK DRILLS

Montrose, Colorado U.S.A.

Phone 970/249-1515 -- Fax 970/249-1999

1-800-777-3745 U.S.A.

RDS199 SHOCK SUB FOR 3" and 4" DTH HAMMERS



Specifications:

Input threads	2 3/8" API Standard Pin
Output threads	2 3/8" API Standard Box
Length	11.25" (286mm)
Diameter	5.75" (146mm)
Weight	40 Lbs. (18.5 Kg)
Rated Capacity	Push 3,500 Lbf. (1591 Kgf) Pull 10,000 Lbf. (4545 Kgf) Torsion 2,000 Lbf.-Ft. (2,712 N-m)
Rigidity	Push 70,000 Lbf/In. (6,063 Kgf/mm) Pull 280,000 Lbf/In. (24,250 Kgf/mm) Torsion 20,000 Lbf.-Ft./Rad. (27,120 N-m/Rad)