

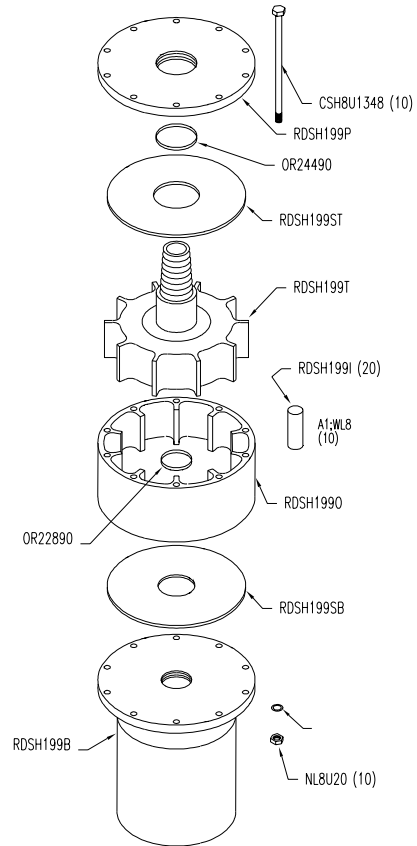
TEI ROCK DRILLS

Montrose, Colorado U.S.A.

Phone 970/249-1515 -- Fax 970/249-1999

1-800-777-3745 U.S.A.

RDSH199 SHOCK SUB FOR 8" to 12" DTH HAMMERS



Specifications:

Input threads	3 1/2" API Standard Pin
Output threads	6 5/8" API Standard Box (Up to 8 5/8" API)
Length	14.375" (365mm)
Diameter	9.0" (229mm)
Weight	110 Lbs. (50.0 Kg)
Rated Capacity	Push 24,000 Lbf. (10,909 Kgf) Pull 28,000 Lbf. (12,727 Kgf) Torsion 8,000 Lbf.-Ft. (10,848 N-m)
Rigidity	Push 960,000 Lbf/In. (83,150 Kgf/mm) Pull 1,120,000 Lbf/In. (97,000 Kgf/mm) Torsion 78,000 Lbf.-Ft./Rad. (105,768 N-m/Rad)