



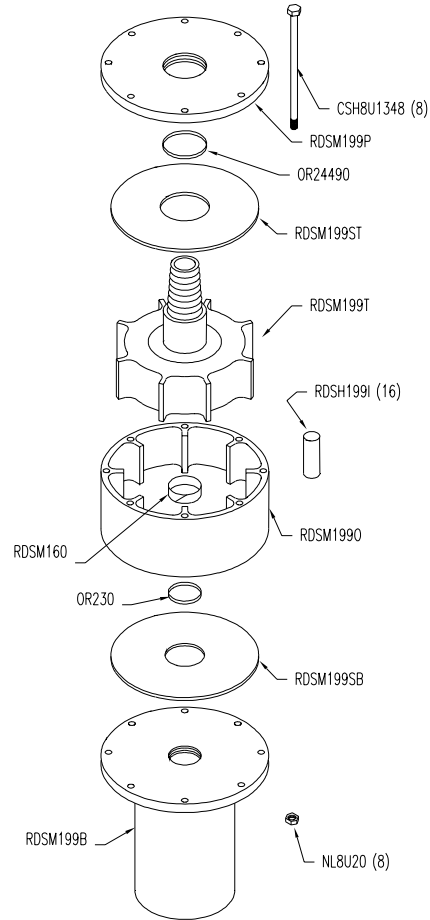
# TEI ROCK DRILLS

Montrose, Colorado U.S.A.

Phone 970/249-1515 -- Fax 970/249-1999

1-800-777-3745 U.S.A.

## RDSM199 SHOCK SUB FOR 5" and 6" DTH HAMMERS



### Specifications:

Input threads	3 1/2" API Standard Pin
Output threads	3 1/2" API Standard Box
Length	14.0" (356mm)
Diameter	8.0" (203mm)
Weight	75 Lbs. (34 Kg)
Rated Capacity	Push 18,000 Lbf. (8182 Kgf) Pull 21,000 Lbf. (9545 Kgf) Torsion 6,000 Lbf.-Ft. (8160 N-m)
Rigidity	Push 720,000 Lbf/In. (62,365 Kgf/mm) Pull 840,000 Lbf/In. (72,759 Kgf/mm) Torsion 58,500 Lbf.-Ft./Rad. (79,326 N-m/Rad)